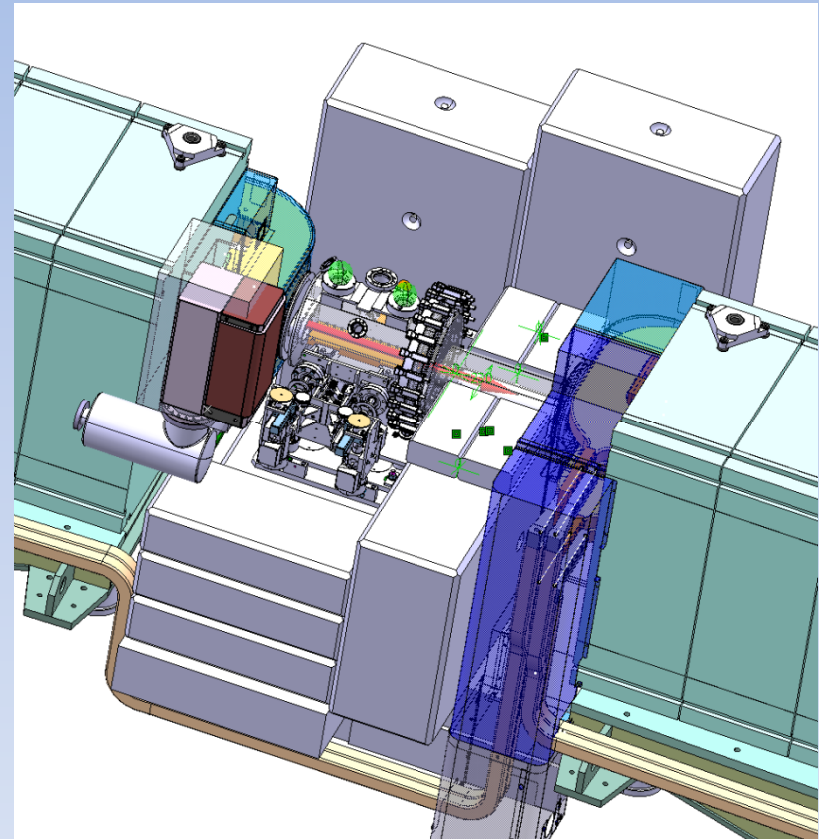
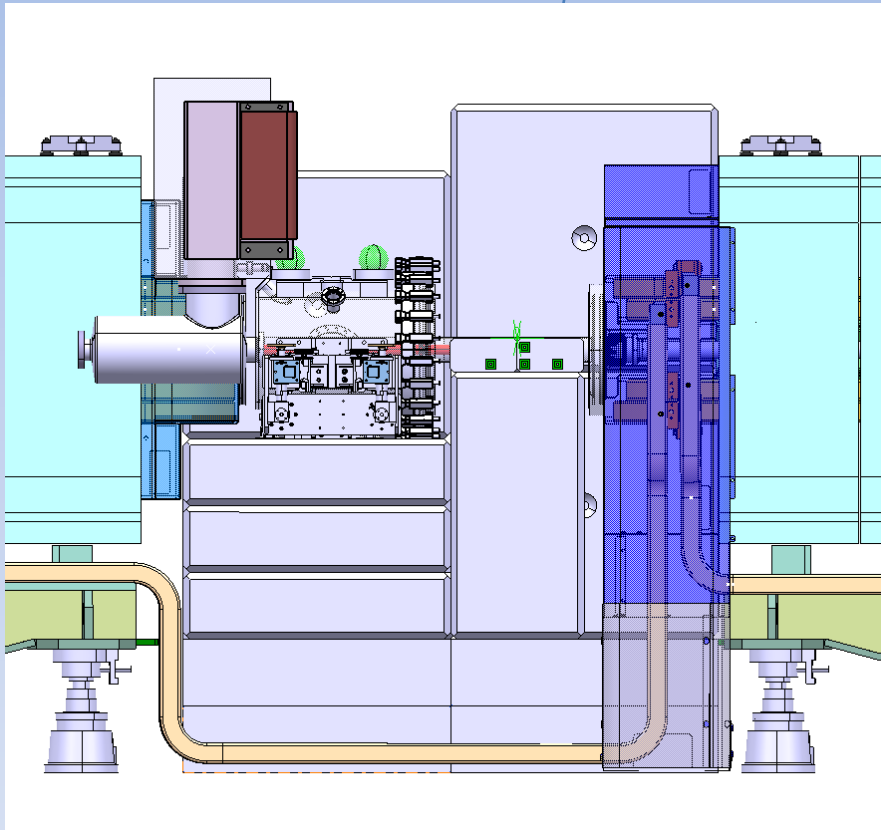


Status and developments of the shielding studies for the dummy septum TPS15

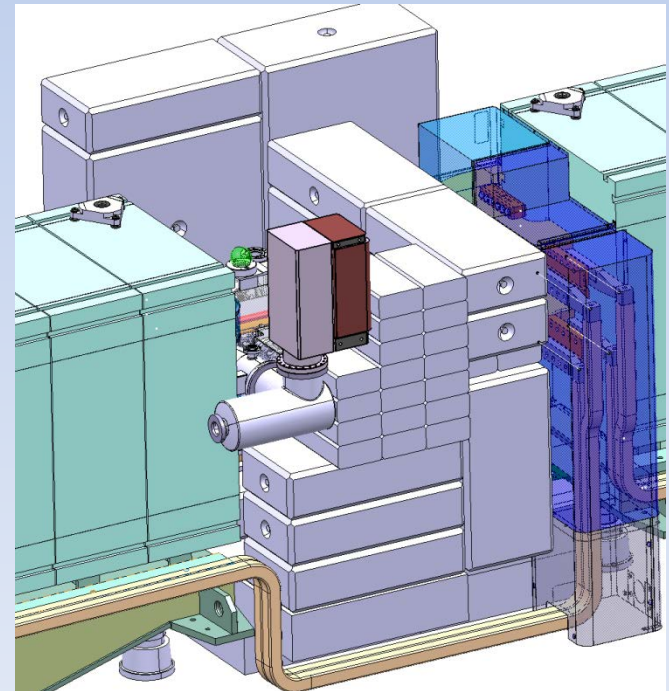
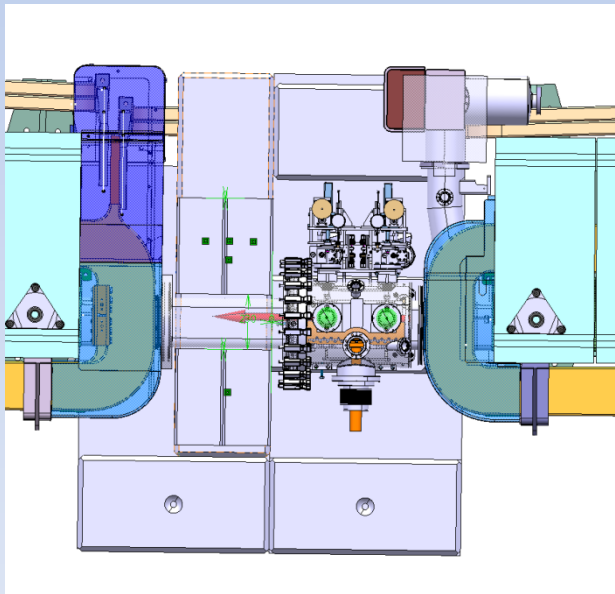
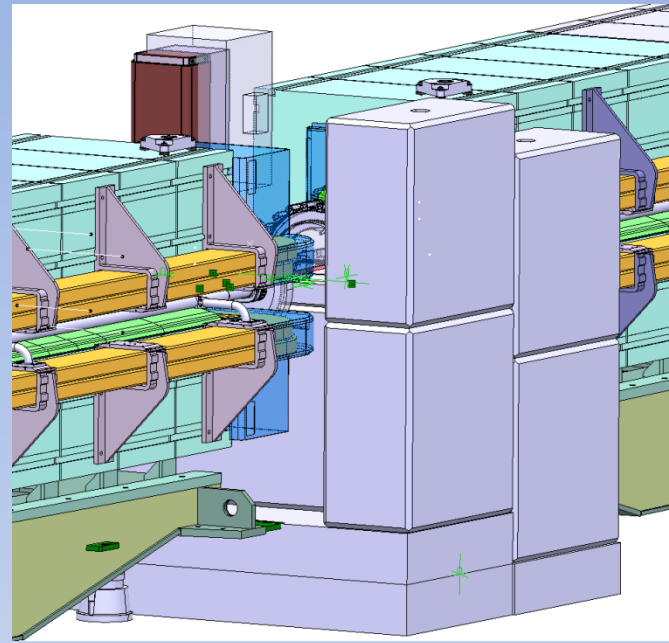
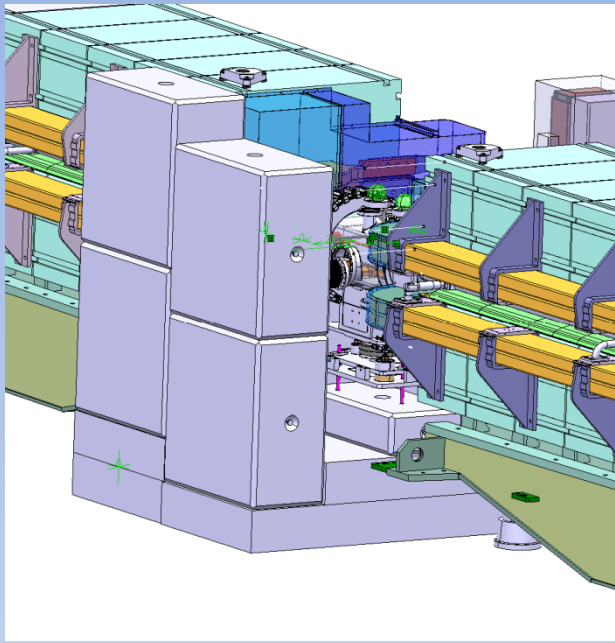


DANGER RADIATION 
SEJOUR LIMITE
OCCUPANCY TIME LIMITED
Before starting work contact 70488
50 µS/h
d'ambiance 71h

Downstream shielding dedicated to the vacuum chamber. In event of removal of dummy 15, top blocks only need to be removed.



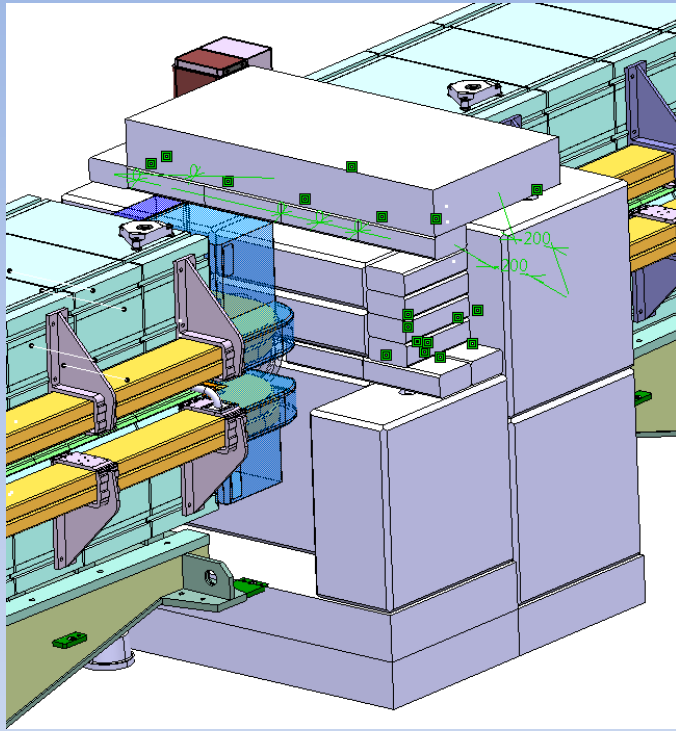
All standard blocks 800x400x200, No. required 8



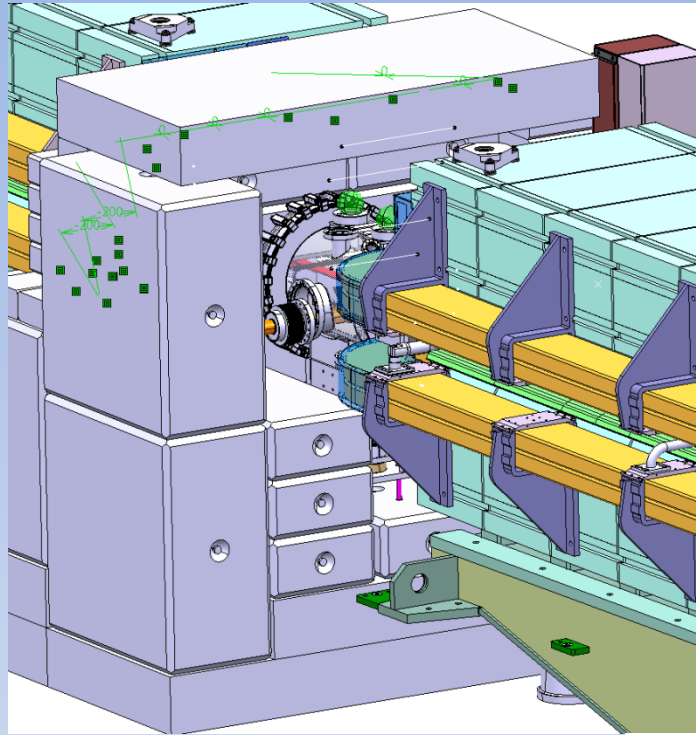
12/13/2012

Mike Hourican TE/ABT

Outside downstream closed

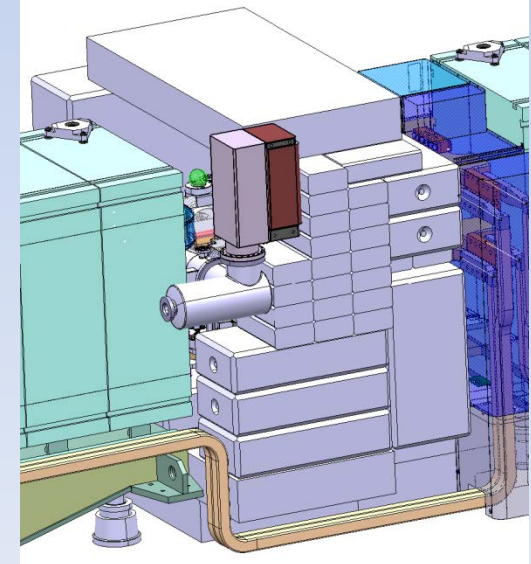


Outside upstream open



Final configuration: some more blocks to add to the upstream side to improve shielding but should not be a problem

Ring Inside



Provisional requirements

Size	Quantity	Location	No.	Mass/block (kg)	Mass total (kg)
800x400x200	12	Inner Shielding and Tank Base	842	173	2076
1600x800x200	5	Base assembly	1682	576	2880
800x800x400	3	Outside shielding	884	576	1728
1600x400x800	1	Downstream Lower	1684	1152	1152
400x200x100	35	Downstream Chamber	421	18	630
					8466